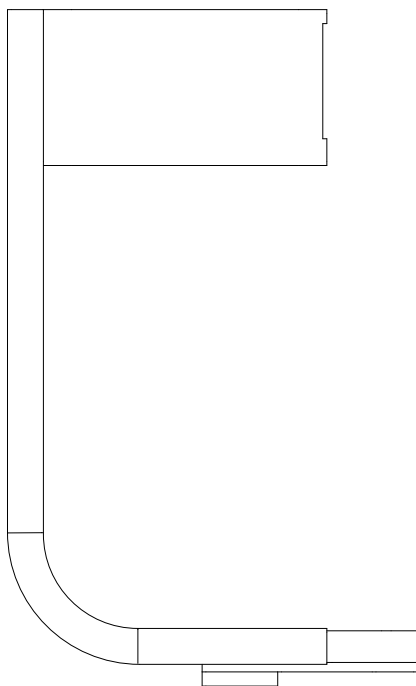
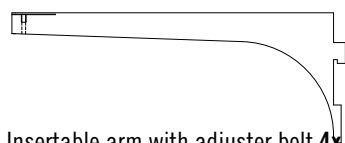
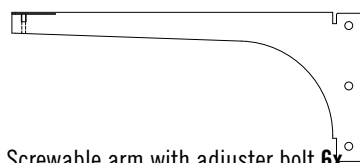

Instructions manual
S 8000



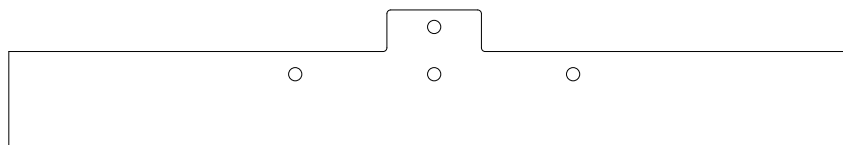
Head piece **2x**



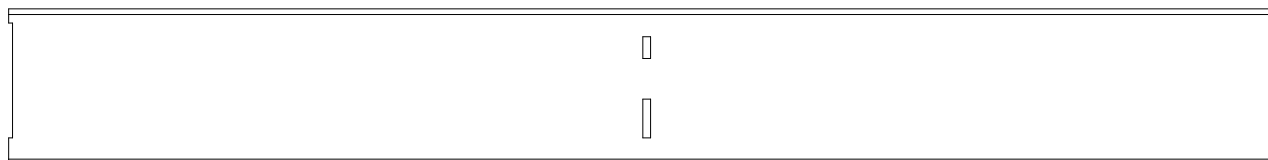
Insertable arm with adjuster bolt **4x**



Screwable arm with adjuster bolt **6x**



Floor plate **2x**



Pan **1x**



Tensioning wire rope with M6 hexagonal nut **2x**



Covering plate with gliders **1x**

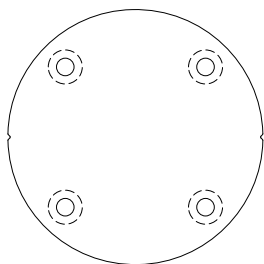
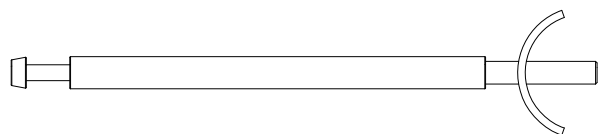
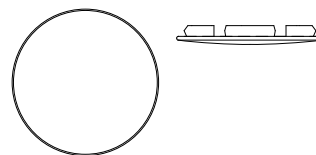


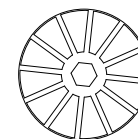
Table top connector **6x**



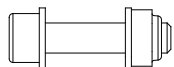
MAXIFIX
connector **6x**



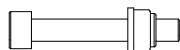
MAXIFIX
covering cap **12x**



MAXIFIX
box **6x**



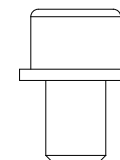
M8x35mm socket head bolt with
hexagonal nut **8x**



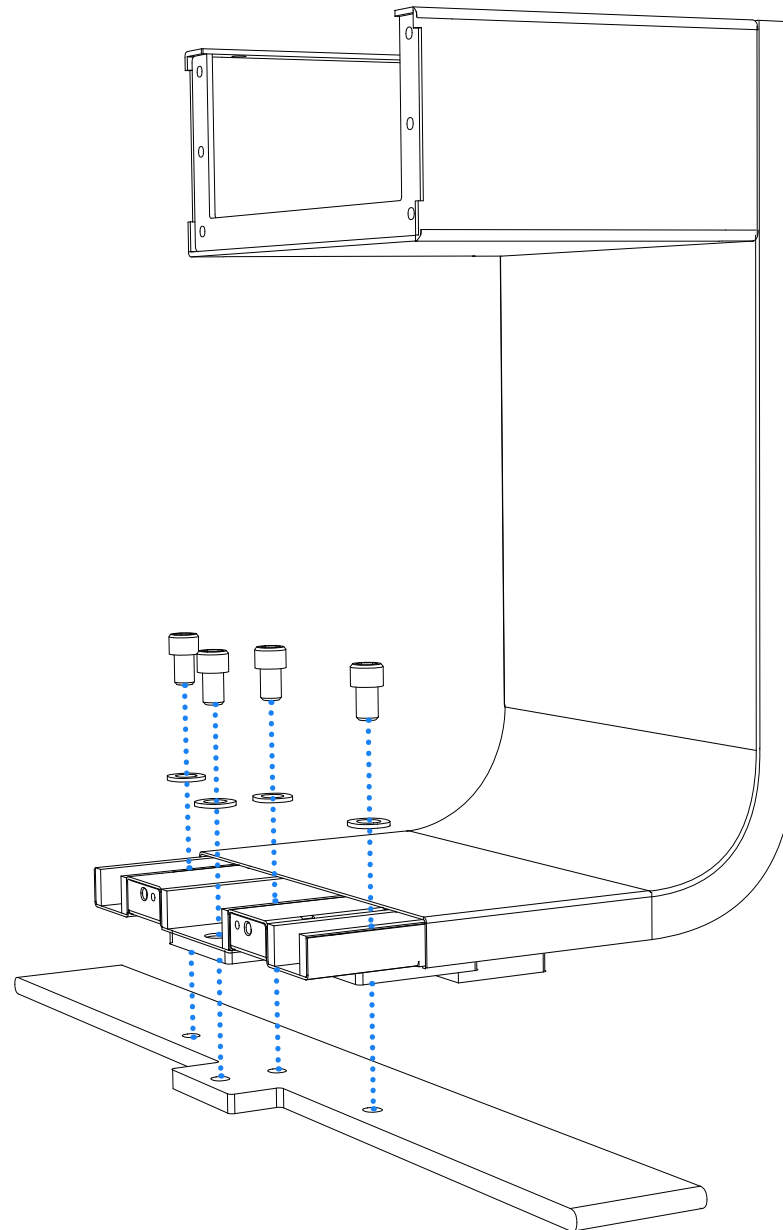
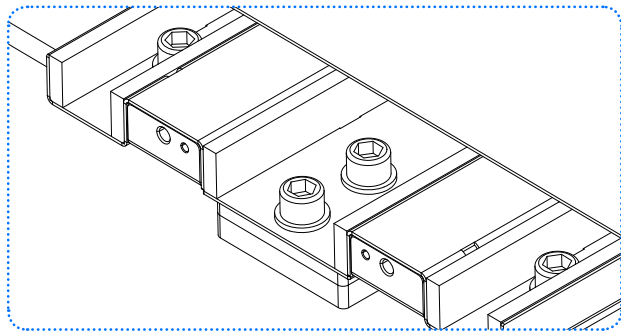
M6x40mm socket head bolt with
hexagonal nut **24x**



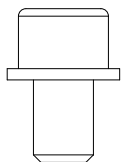
M6x20mm counter-sunk head
bolt with screwed insert **24x**



M16x25mm **8x**

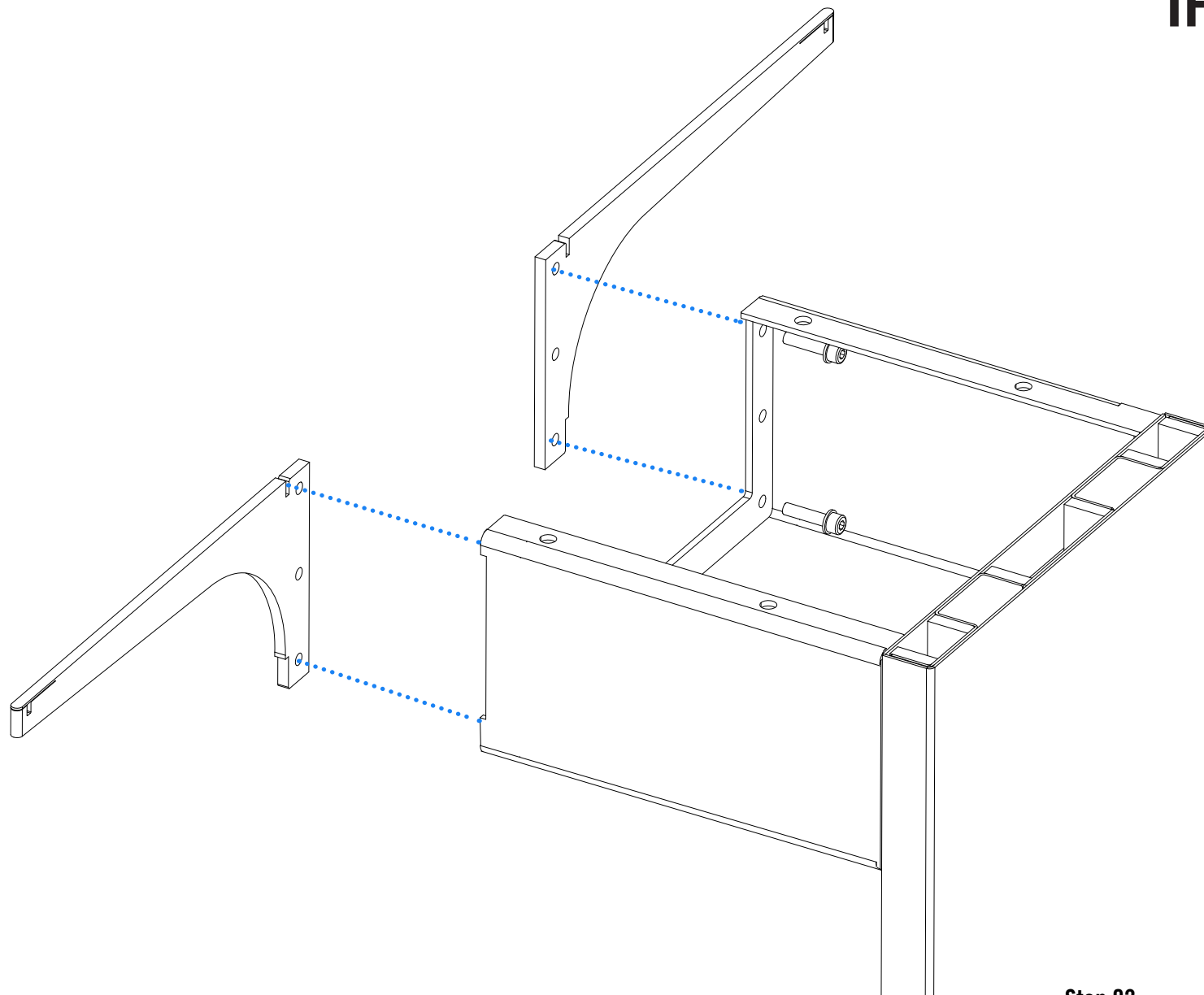


Step 01



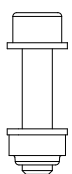
M16x25mm
with washer 30x17x3

**Screw floor plate on head pieces.
(or anchor head pieces to the floor)**

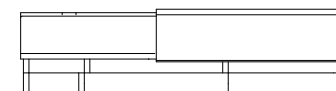
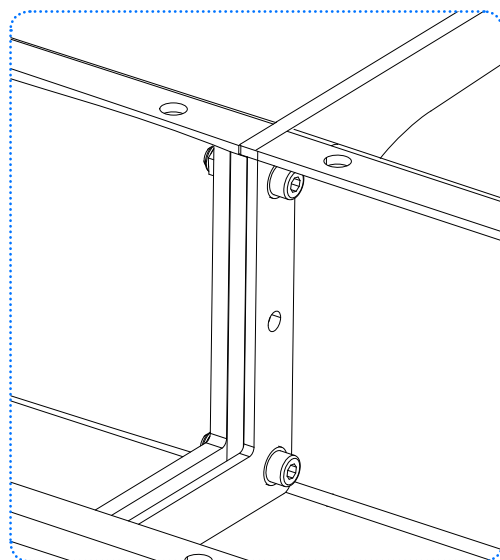
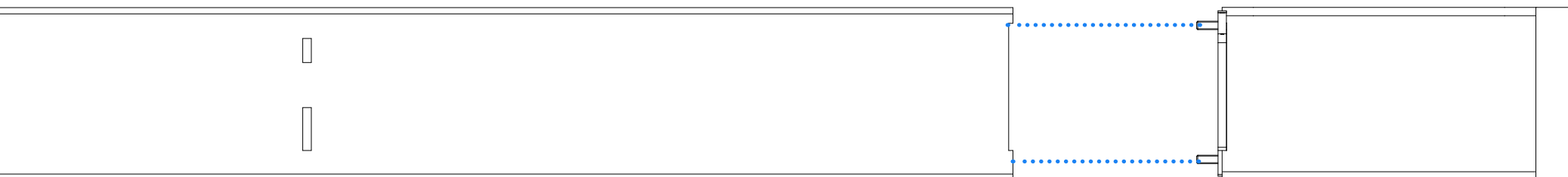


Step 02

Attach screwable arms on head pieces.

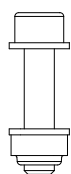


M8x35mm
with washer 16x1,6x8,4
and M8 hexagonal nut

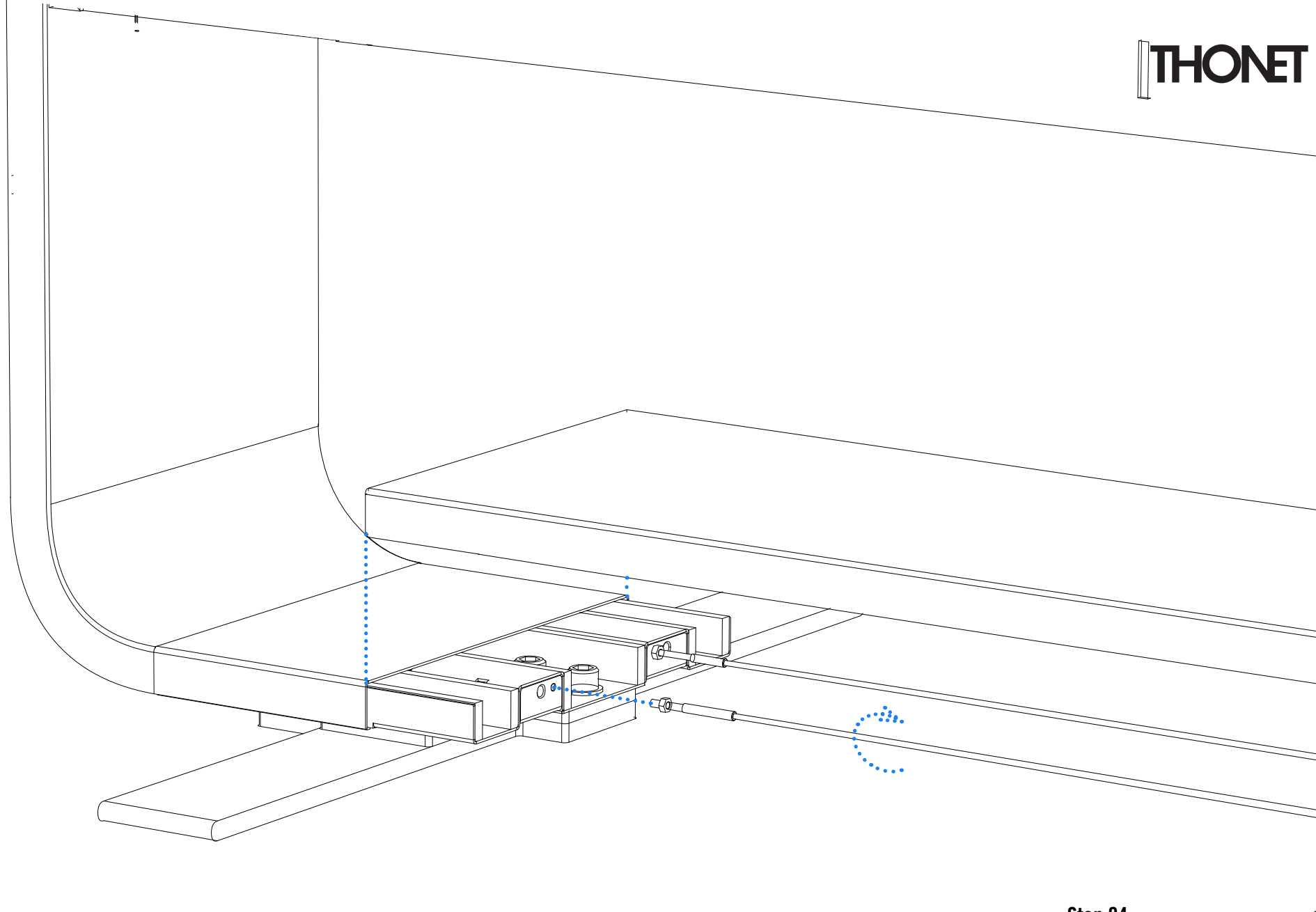


Step 03

Screw pan between head pieces.



M8x35mm
with washer 16x1,6x8,4
and M8 hexagonal nut

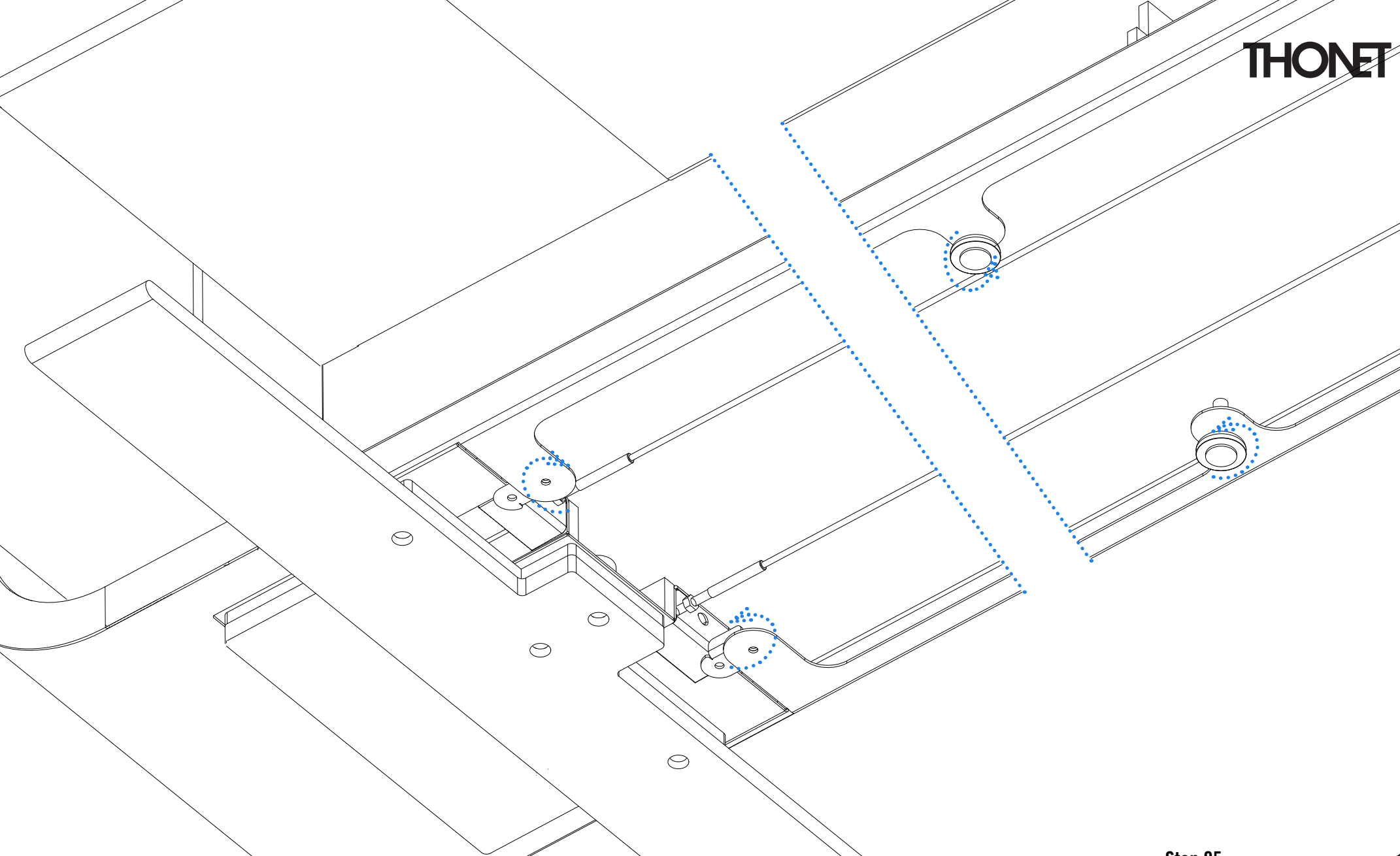


Step 04

**Mount tensioning wire ropes and tighten them.
Attach covering and check clearance.**

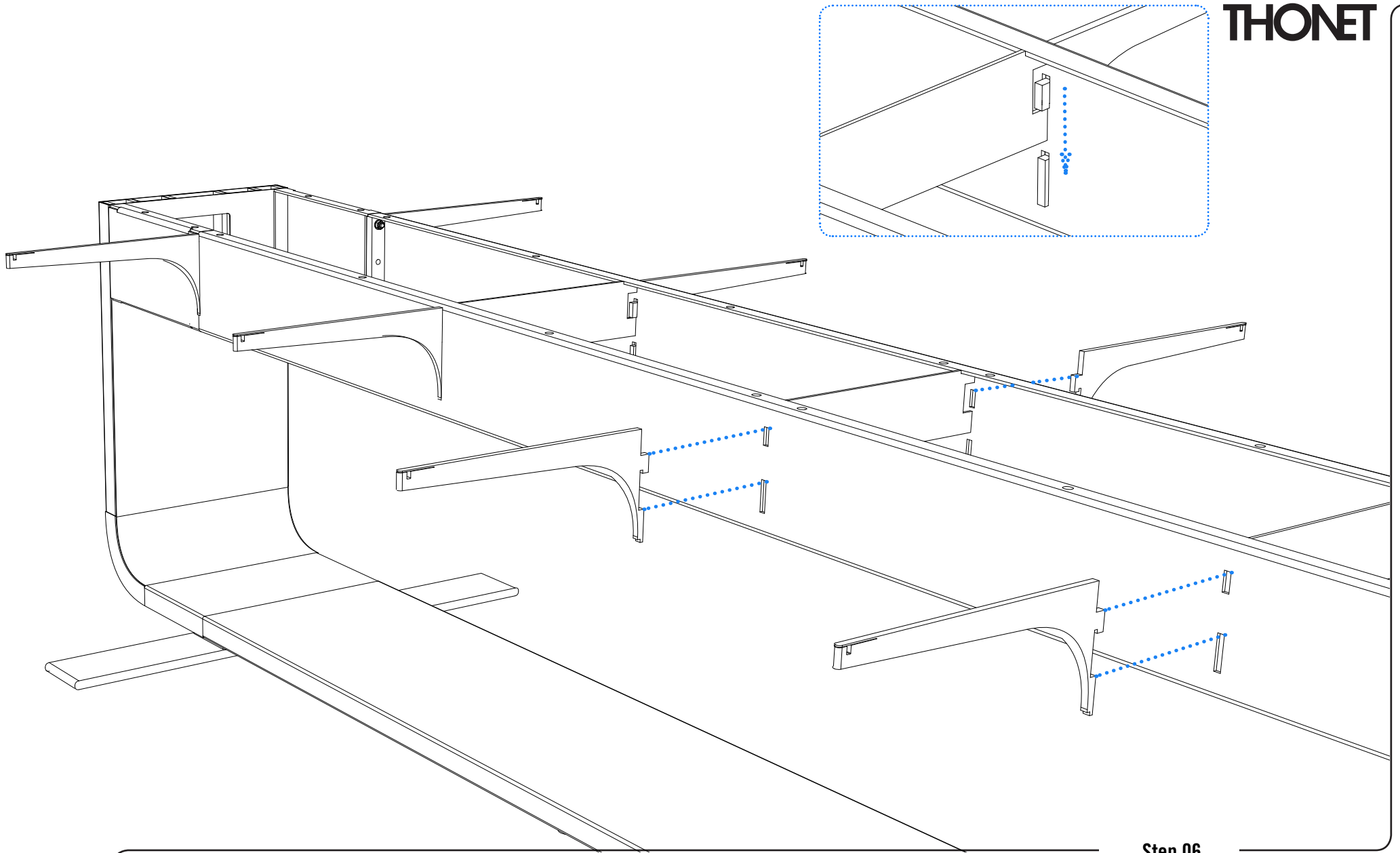
Tensioning wire ropes with M6 hexagonal nut





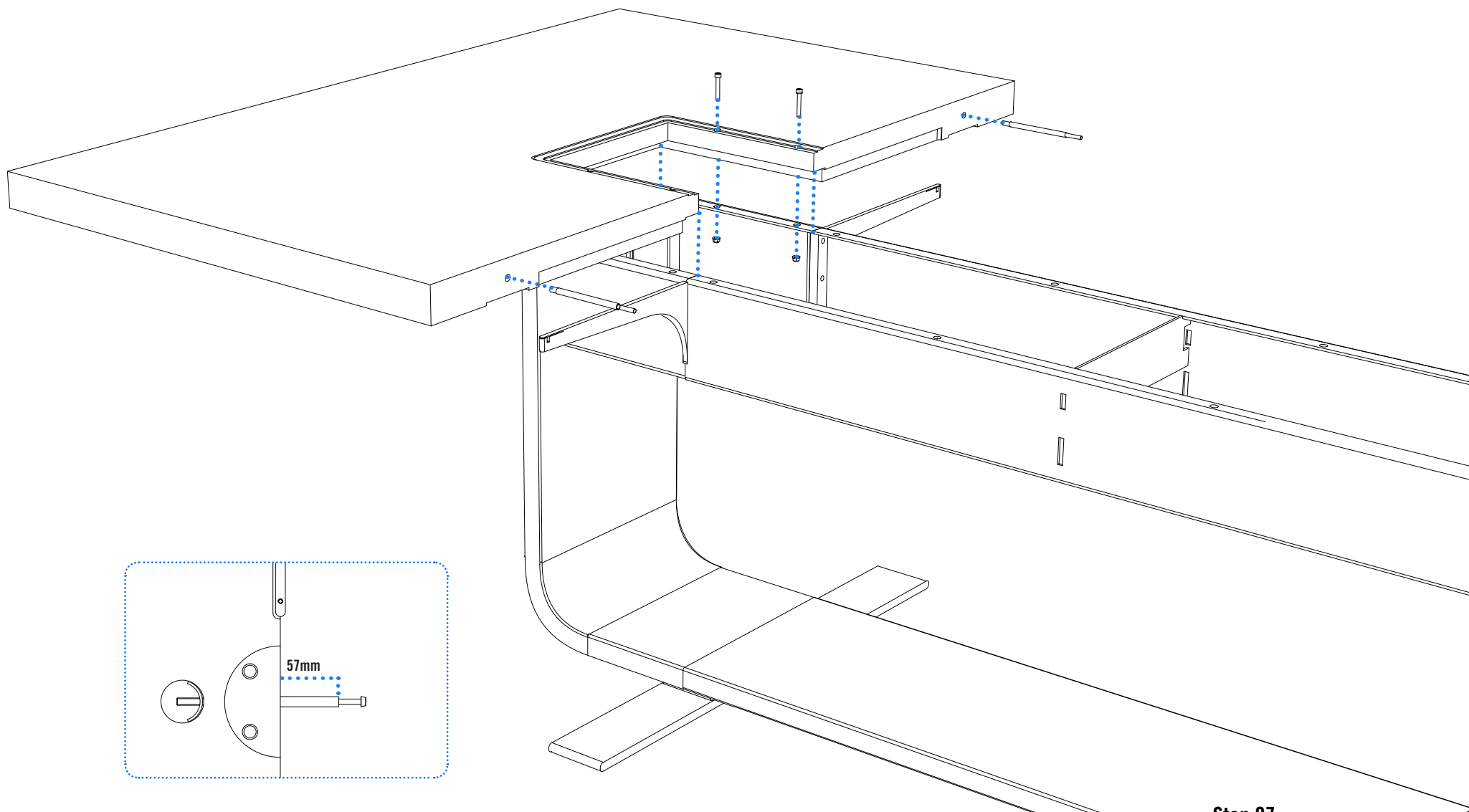
Step 05

**Lock covering on the bottom.
Adjust gliders.**

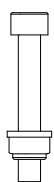


Step 06

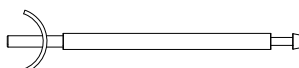
**Hook insertable arms into the slots of the pan
and push them down.**



Step 07

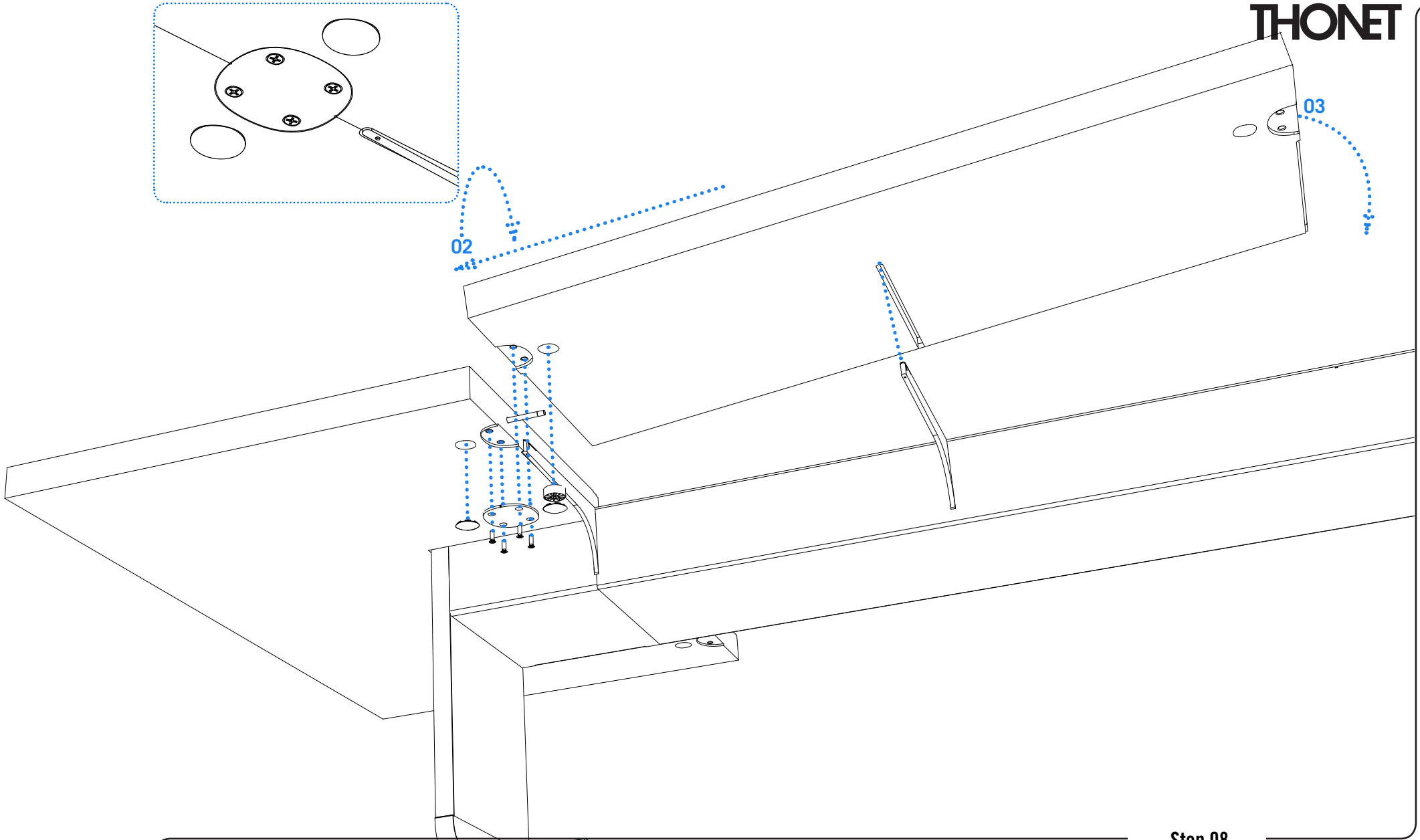
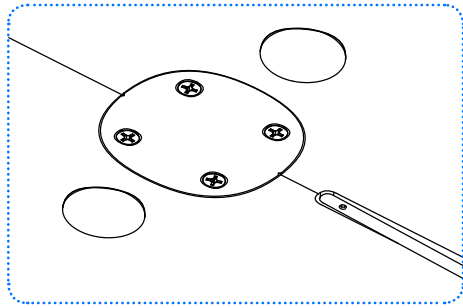


M6x40mm with hexagonal nut, self-locking and washer 6,4x12x1,6



MAXIFIX
connector

**Place head ends of table top onto the pan and secure them.
Insert MAXIFIX connector and secure them.**



Step 08



M6x40mm socket head bolt with hexagonal nut and washer 6,4x12x1,6



M6x20mm

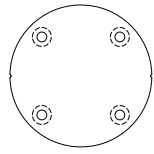
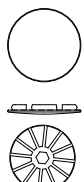


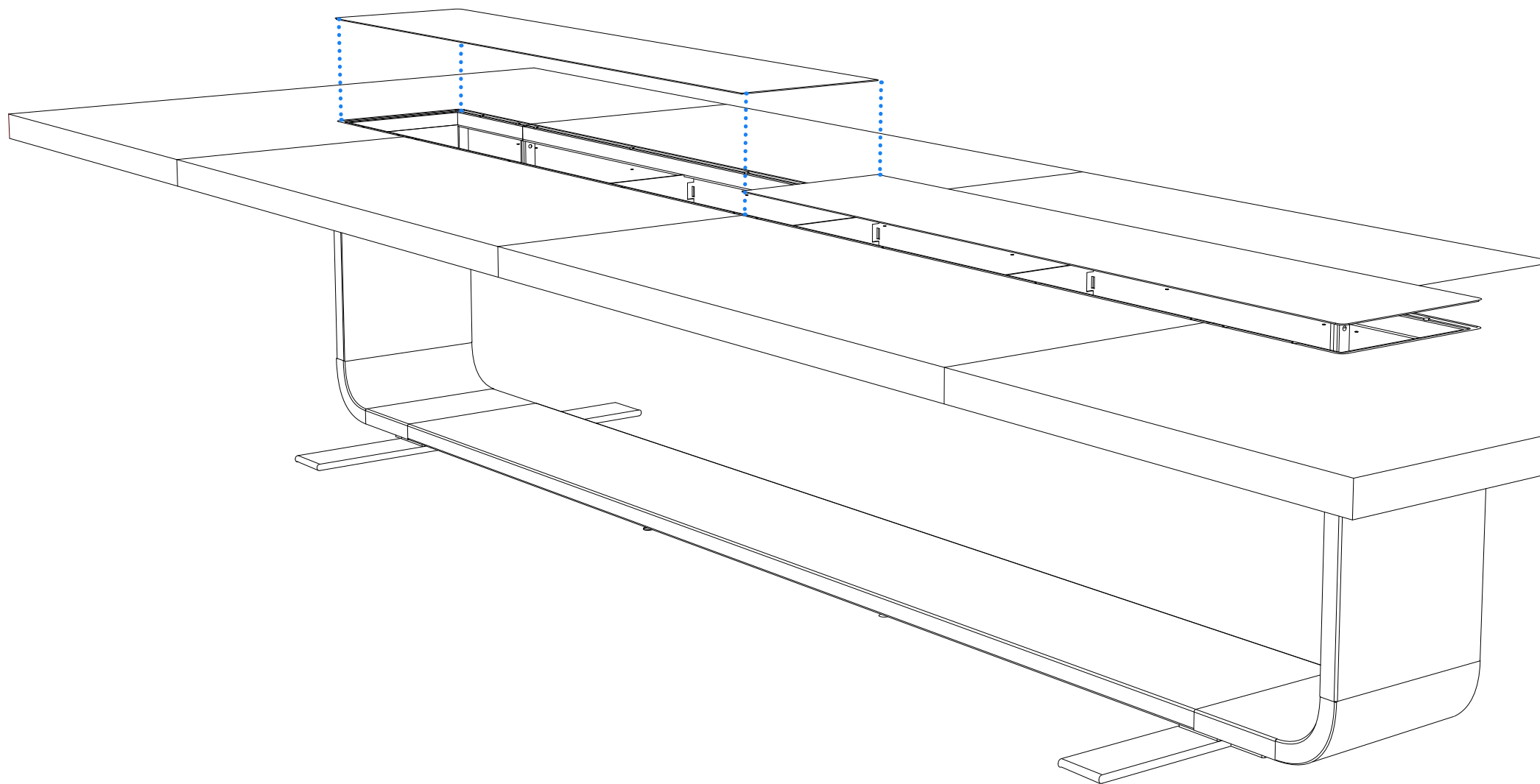
Table top connector



MAXIFIX covering cap

Box

**Mount table top slanted from above and screw tightly.
Turn MAXIFIX box until it clicks into place and screw table top connector tightly.
Attach covering cap.**



Step 09

Insert cover plate and, if necessary, glue them up.

